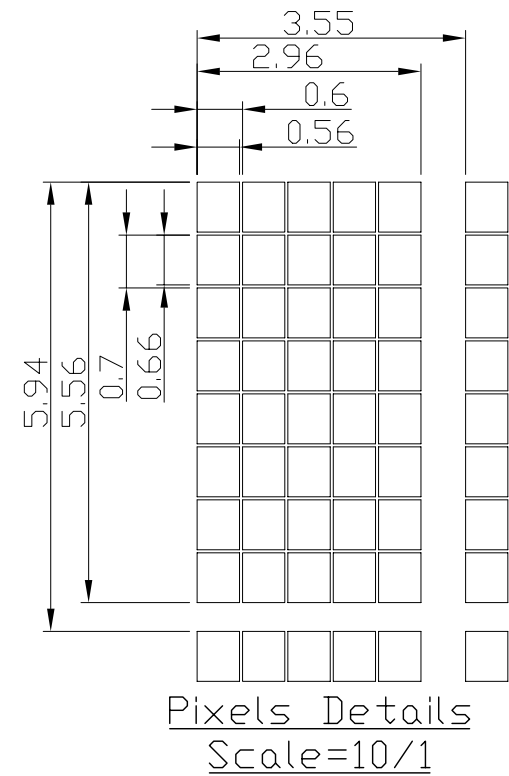
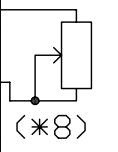
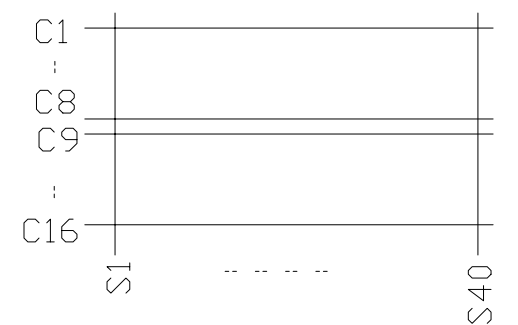
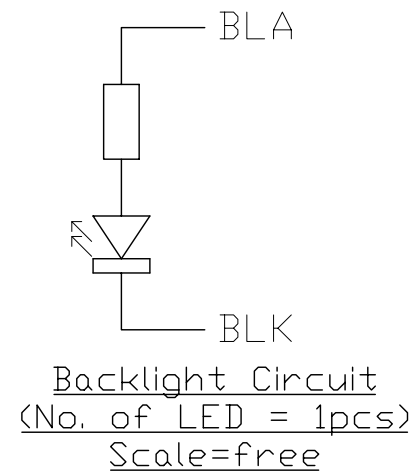


No.	Pin Name
1	VSS
2	VDD
3	V0
4	RS
5	R/W
6	E
7	DB0
8	DB1
9	DB2
10	DB3
11	DB4
12	DB5
13	DB6
14	DB7
15	BLA
16	BLK



Note:

- *1. LCD Display Type : STN-Gray, Positive, Transflective
- *2. Viewing Direction : 6H
- *3. Duty : 1/16 ,Bais : 1/5
- *4. Operating Voltage : 5.0V
- *5. Backlight Color : White
- *6. Operating Temperature : -20°C ~ 70°C
- *7. Storage Temperature : -30°C ~ 80°C
- *8. An external VR(5k) must be connected for Contrast Control.



C		
B		
A		
Rev	Note	Date
Dwg	Title	
Dwg No.	MK-001076-1-1	Date
Scale	3/1	2005-10-10
Tol.	±0.5	
Unit	mm	
Paper Size	A3	
Approved	Checked	Drawn
		Li Shuai

TOPWAY