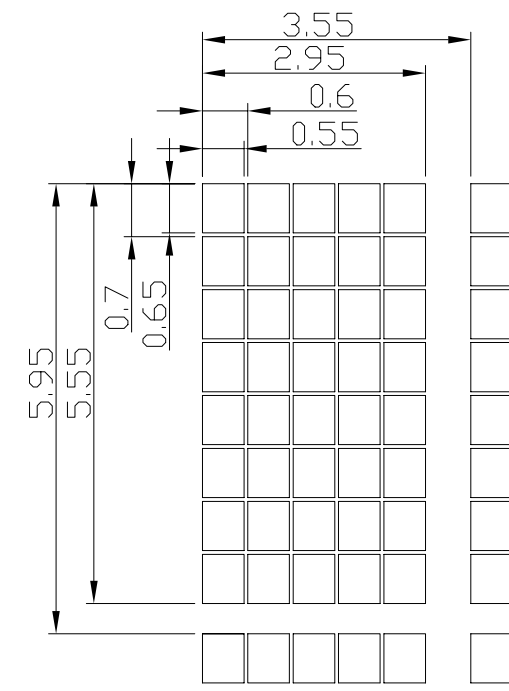
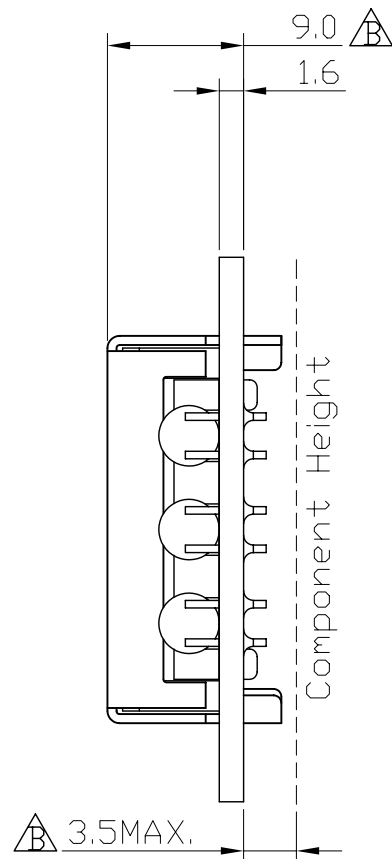
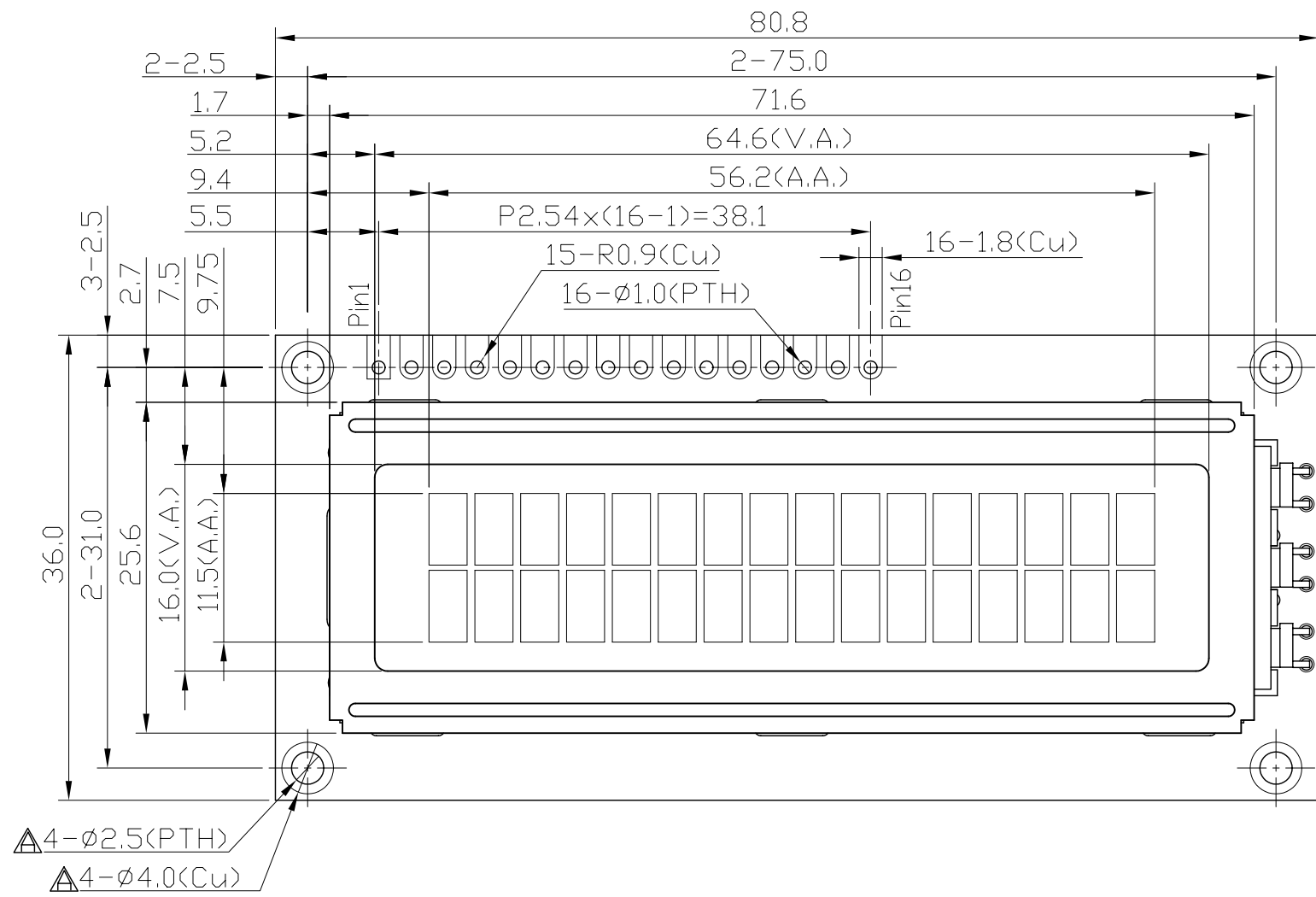
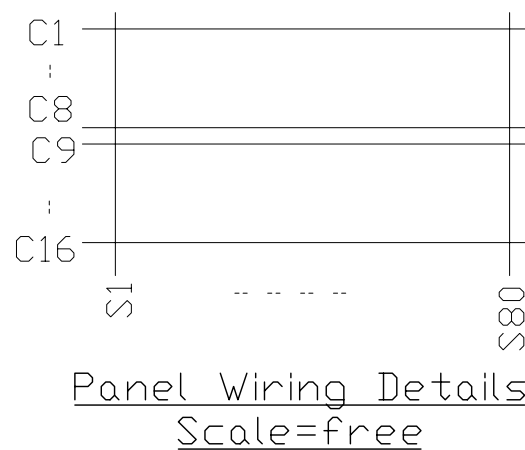
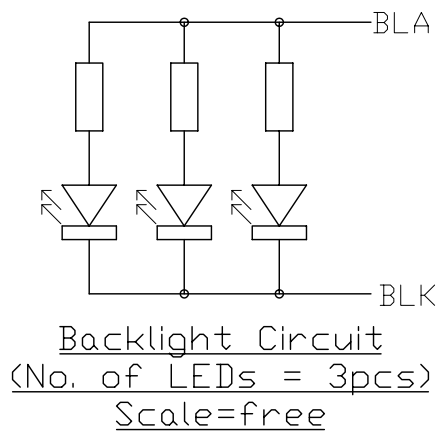


Terminal	
No.	Pin Name
1	VSS
2	VDD
3	V0
4	RS
5	R/W
6	E
7	DB0
8	DB1
9	DB2
10	DB3
11	DB4
12	DB5
13	DB6
14	DB7
15	BLA
16	BLK



Pixels Details  
Scale=10/1



- Note:
- \*1. LCD Display Type : STN-Blue, Negative, Transmissive
  - \*2. Viewing Direction : 6H
  - \*3. Operating Temperature : -10°C~60°C
  - \*4. Storage Temperature : -30°C~70°C

C		
B	-Revise Metal Frame Height -Revise Dimension	Li Shuai 2004-11-24
A	-Typing Correction	Li Shuai 2004-07-20
Rev	Note	Date
Dwg Title LMB162AFC Outline Dwg		
Dwg No.	MK-000523b-1-1	Date 2004-07-02
Scale 2/1	Tol. ±0.5	Unit mm
Approved	Checked	Paper Size A3
		Drawn Li Shuai

**TOPWAY**