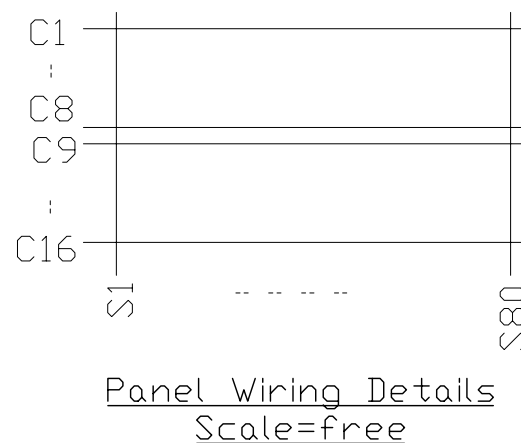
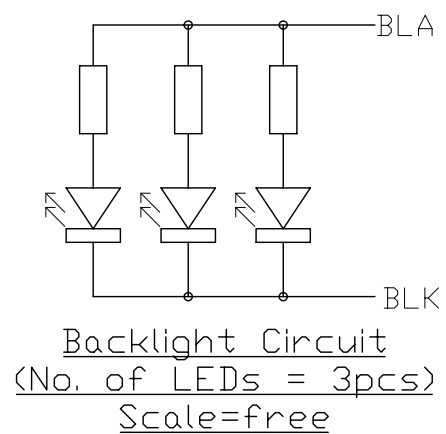
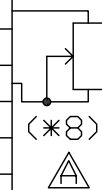


Terminal	
No.	Pin Name
1	VSS
2	VDD
3	V0
4	RS
5	R/W
6	E
7	DB0
8	DB1
9	DB2
10	DB3
11	DB4
12	DB5
13	DB6
14	DB7
15	BLA
16	BLK



Note:

- *1. LCD Display Type : FSTN, Negative, Transflective
- *2. Viewing Direction : 12H
- *3. Duty : 1/16 , Bias : 1/5 \triangle
- *4. Operating Voltage : 5.0V \triangle
- *5. Backlight Color : White \triangle
- *6. Operating Temperature : -20°C~70°C
- *7. Storage Temperature : -30°C~80°C
- *8. An external VR(5k) must be connected for Contrast Control. \triangle
- *9. Environmental Safe Standard : RoHS \triangle

C		
B		
A	-Add Note	Li Shuai 2006-02-23
Rev/Note		Date
Dwg Title	LMB162AGC-1 Outline Dwg	
Dwg No.	MK-000868a-1-1	Date 2005-03-22
Scale	Tol. ± 0.5	Unit mm Paper Size A3
2/1		\oplus \ominus
Approved	Checked	Drawn Li Shuai

TOPWAY