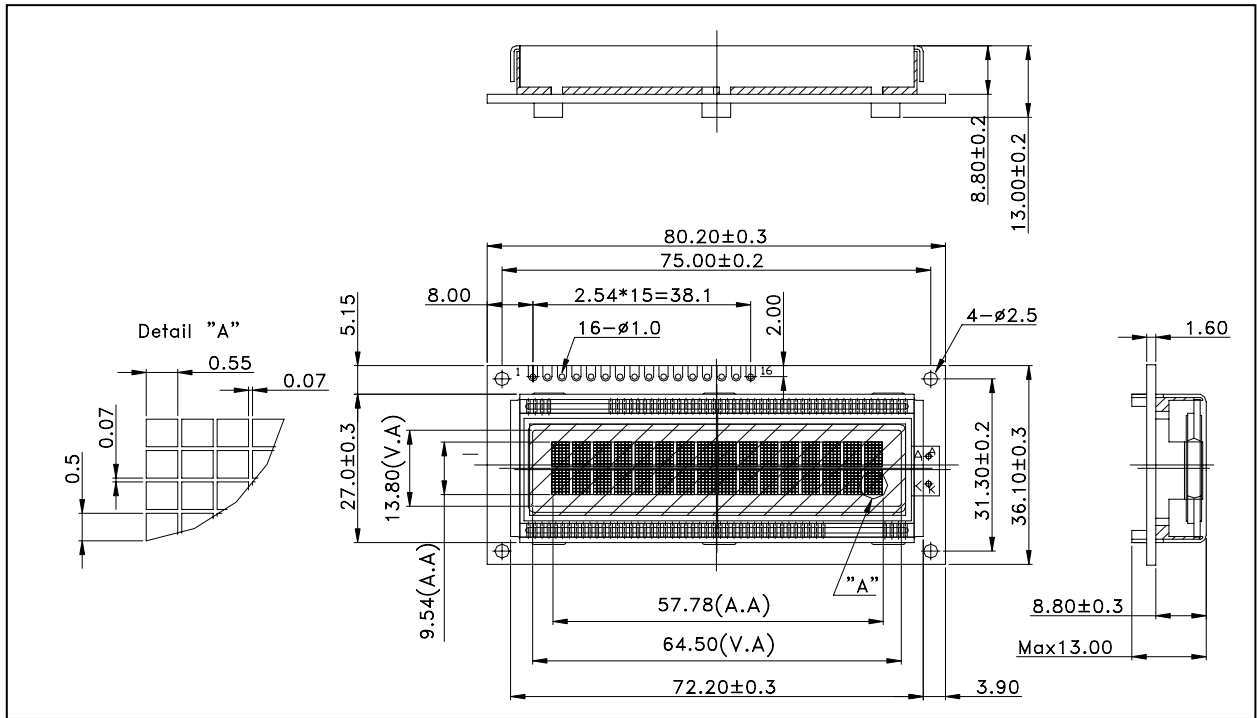




1.0 DIMENSIONAL DRAWING



2.0 MECHANICAL SPECIFICATIONS&FEATURE

Item	Normal Dimensions (mm)	Feature	
Module Size(W*H*T)	80.2×36.1×13	Backlight Type&Colour	Bottom Yellow-Green
View Area(W*H)	64.5×13.8	Display Type	Positive Type 6 O'clock
Dot Size(W*H)	0.55×0.5	Operating Temperature	-20°C~70°C
Dot Pitch(W*H)	0.62×0.57	Storage Temperature	-20°C~80°C

3.0 ELECTRICAL CHARACTERISTICS

Item	Symbol	Test Condition	Standard Value			Unit
			Min.	Typ.	Max.	
Supply voltage for logic	Vcc-Vss	Ta=25°C	0	+5	+7	V
Supply voltage for LCD	Vcc-Vee		0	-	+13.5	V
Input voltage	Vi		Vss	-	Vcc	V
Power supply current	Icc	Vcc=5.0V	-	0.5	2.0	mA

4.0 INTERFACE PIN CONNECTIONS

Pin No.	Symbol	I/O	Function
1	VSS	-	Ground
2	VDD	-	Power Supply
3	V0	-	Negative voltage for LCD driving
4	RS	I	L:Instruction code input; H:Data input
5	R/W	I	L:Data write; H:Data read
6	E	I	Enable signal
7~14	DB0~DB7	I/O	Data bit 0~Data bit 7
15	A	I	Positive for backlight
16	K	I	Negative for backlight