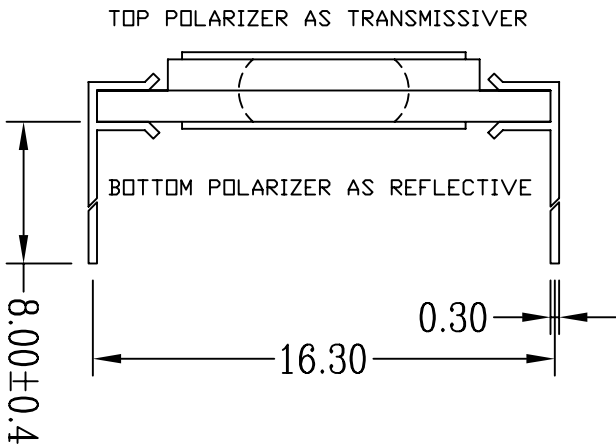


SEG1~9pin
COM10~14pin

- NOTES:
1. LCD TYPE: TN, POSITIVE
 2. VIEWING ANGLE: 12:00 CLOCK
 3. POLARIZER: REFLECTIVE
 4. OPERATING TEMP: -30°C ~ 80°C
 5. STORAGE TEMP: -40°C ~ 85°C
 6. OPERATING VOLTAGE: 4.8V
 7. LCD DRIVE METHOD: 1/5 DUTY, 1/3 BIAS
 8. CONNECTION: PIN



PIN	1	2	3	4	5	6	7	8	9	10	11	12	13	14
COM1		1A		2A		3A		4A	5A	COM1				
COM2		1B		2B		3B		4B	5B		COM2			
COM3	1F	1G	2F	2G	3F	3G	4F	4G	5G			COM3		
COM4	1E	1C	2E	2C	3E	3C	4E	4C	5C				COM4	
COM5		1D		2D		3D		4D	5D					COM5



SHENZHEN LONDA TECH CO., LTD
3/F, WEST BLOCK, NO. 2 BUILDING, Baoguo 2nd Road, Shenzhen, China

VERSION		DRAWN	BY: Even	TITLE: LMS035A-LCD	UNIT: mm
DATE		APPROVED BY:		UNMARKED TOLERANCE: ±0.2	

NO.	REVISED BY	CONTENTS