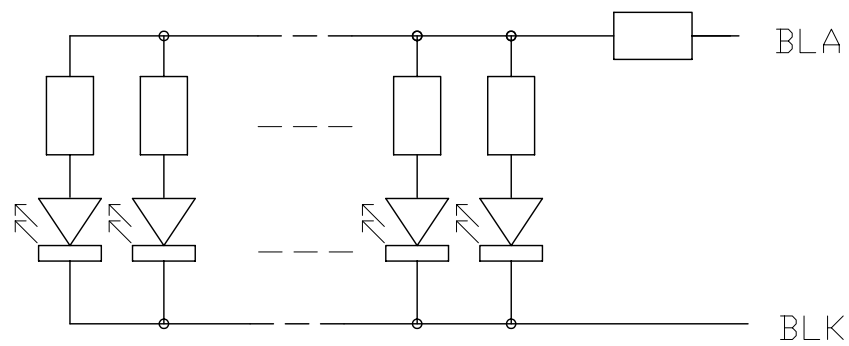
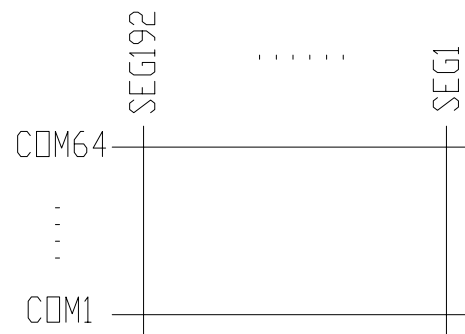


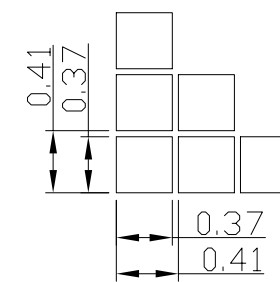
Terminal	
No.	Pin Name
1	DB7
2	DB6
3	DB5
4	DB4
5	DB3
6	DB2
7	DB1
8	DB0
9	E
10	R/W
11	RS
12	V0
13	VDD
14	VSS
15	CSB
16	CSA
17	VOUT
18	/RST
19	BLA
20	BLK



Backlight Circuit
(No. of LEDs = 6PCS)
Scale=free



Wiring Details
Scale=free



Pixel Details
Scale=20/1

Note:

- *1. LCD Display Type : STN-Blue, Negative, Transmissive
- *2. Viewing Direction : 12H
- *3. Duty : 1/64 , Bias : 1/9
- *4. Operating Voltage : 5.0V
- *5. Backlight Color : White
- *6. Backlight Supply : 102mA (5.0V TYP.)
- *7. Operating Temperature : -20°C ~ 70°C
- *8. Storage Temperature : -30°C ~ 80°C
- *9. An external VR(25k~50k) must be connected for Contrast Control
- *10. Environmental Safe Standard : RoHS

C		
B		
A		
Rev	Note	Date
Dwg Title LM19264FFW Outline Dwg		
Dwg No.	MK-002411-1-1	Date 2008-04-21
Scale 3/2	Tol. ±0.5	Unit mm Paper Size A3
Approved	Checked	Drawn Zhou Huifang

TOPWAY