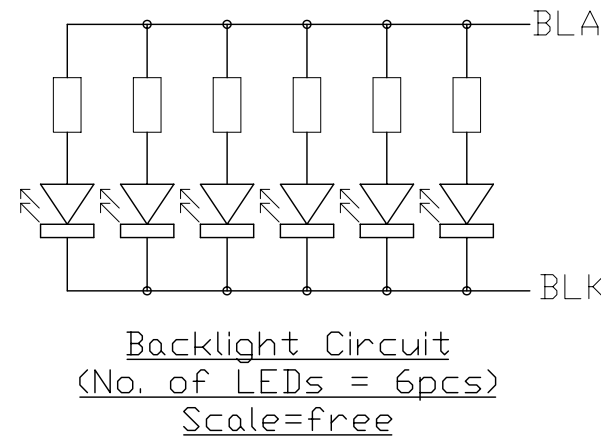
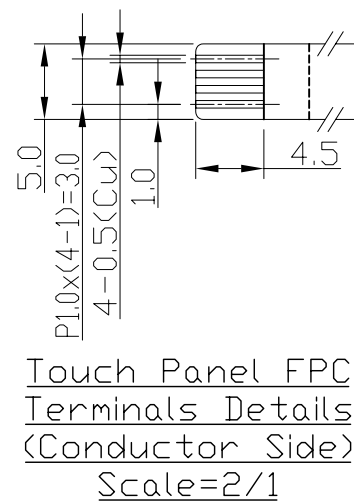
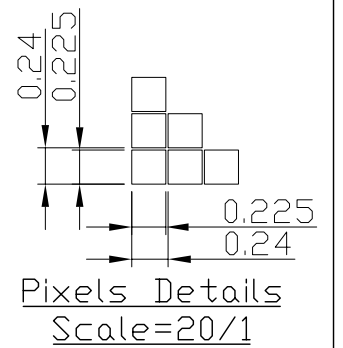
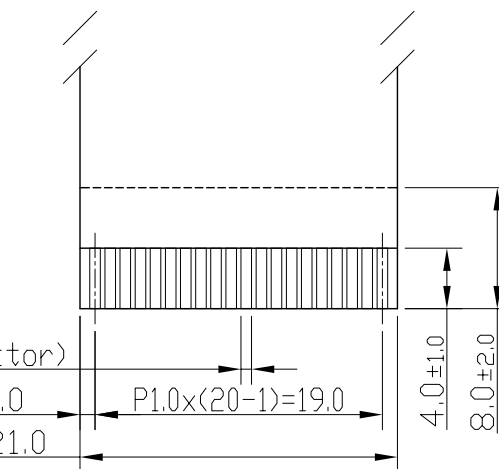


Terminal No.	Pin Name
1	VSS
2	VDD
3	V0
4	/WR
5	/RD
6	/CS
7	A0
8	/RES
9	DB0
10	DB1
11	DB2
12	DB3
13	DB4
14	DB5
15	DB6
16	DB7
17	/WAIT
18	VOUT
19	BLA
20	BLK

(*10)



Note:

- *1. Display Type : STN, Negative, Transmissive
- *2. Viewing Direction : 9H
- *3. Duty : 1/240, Bias : 1/12
- *4. Backlight Color : White
- *5. Backlight Supply: 100mA(5.0V TYP.)
- *6. Operating Voltage : 5.0V
- *7. Operating Temperature : -20°C~70°C
- *8. Storage Temperature : -30°C~80°C
- *9. Driver IC : S1D13700
- *10. An external VR(25K to 50K) must be connected for Contrast Control

C		
B		
A		
Rev	Note	Date
	Dwg Title	
	LM2068EFW-C Outline Dwg	
Dwg No.	MK-002114-1-1	Date
		2007-11-20
Scale	Tol.	Unit
3/2	±0.5	mm
Paper Size	A3	
Approved	Checked	Drawn
		Zhou Huifang

TOPWAY