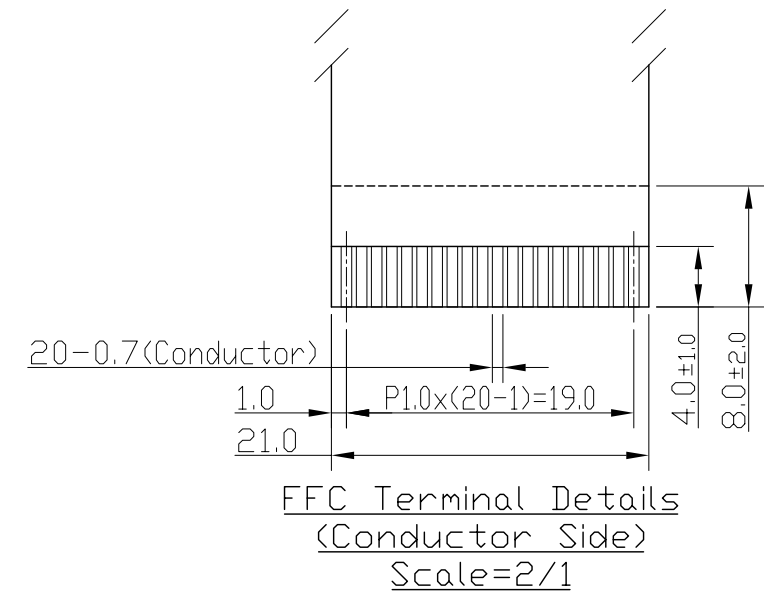
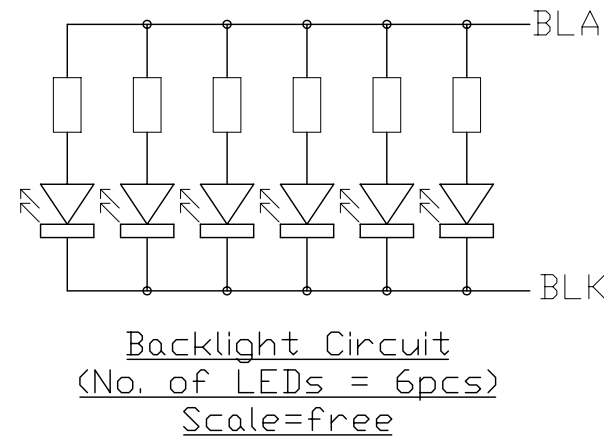


Terminal	
No.	Pin Name
1	VSS
2	VDD
3	V0
4	/WR
5	/RD
6	/CS
7	A0
8	/RES
9	DB0
10	DB1
11	DB2
12	DB3
13	DB4
14	DB5
15	DB6
16	DB7
17	NC
18	VOUT
19	BLA
20	BLK



Note:

- \*1. Display Type : FSTN, Positive, Transflective
- \*2. Viewing Direction : 9H
- \*3. Duty : 1/240, Bias : 1/12
- \*4. Backlight Color : White
- \*5. Operating Voltage : 5.0V
- \*6. Operating Temperature : -10°C~60°C
- \*7. Storage Temperature : -20°C~70°C
- \*8. Driver IC : RA8835
- \*9. An external VR(25K to 50K) must be connected for Contrast Control
- \*10. Environmental Safe Standard : RoHS



B	Revise Dimension	Lin Yan 2006-10-11
A	Typing Correction	Lin Yan 2006-08-16
Rev/Note		Date
Dwg Title	LM2068S Outline Dwg	
Dwg No.	MK-001335b-1-1	Date 2006-07-15
Scale	Tol.	Unit
3/2	±0.5	mm
Approved	Checked	Paper Size A3
		Drawn K.C.

**TOPWAY**