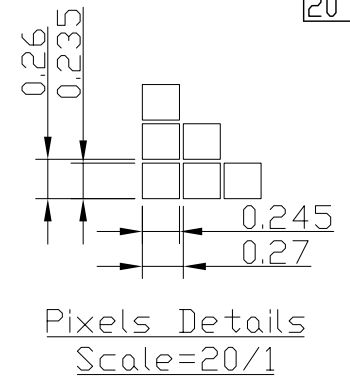
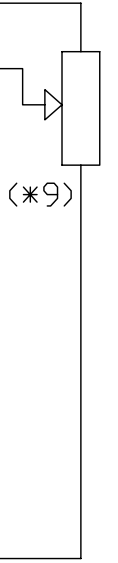
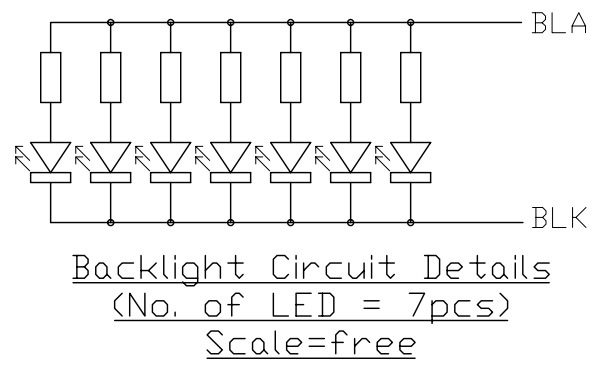


Terminal No.	Pin Name
1	VSS
2	VDD
3	V0
4	/WR
5	/RD
6	/CS
7	A0
8	/RES
9	DB0
10	DB1
11	DB2
12	DB3
13	DB4
14	DB5
15	DB6
16	DB7
17	/WAIT
18	VOUT
19	BLA
20	BLK



- Note:
- *1. LCD Display Type : FSTN, Positive, Transflective
 - *2. Viewing Direction : 12H
 - *3. Duty : 1/160
 - *4. Operating Voltage : 5.0V
 - *5. Backlight Color : White
 - *6. Backlight Supply : 120mA (5.0V TYP.)
 - *7. Operating Temperature : -20°C ~ 70°C
 - *8. Storage Temperature : -30°C ~ 80°C
 - *9. An external VR(25k~50k) must be connected for Contrast Control
 - *10. LCD Controller : S1D13700 or equivalent



C		
B		
A	-Modify Dimension & Dwg Title	Date 2007-05-16
Rev	Note	Date
Dwg Title	LM320160CCW Outline Dwg	
Dwg No.	MK-001770a-1-1	Date 2007-05-16
Scale	Tol. ±0.5	Unit mm Paper Size A3
Approved	Checked	Drawn Lin Yan

TOPWAY