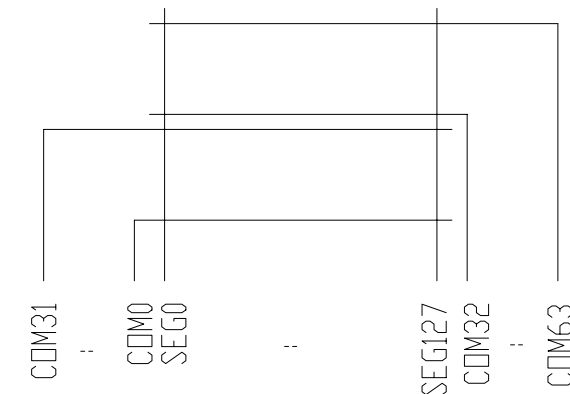
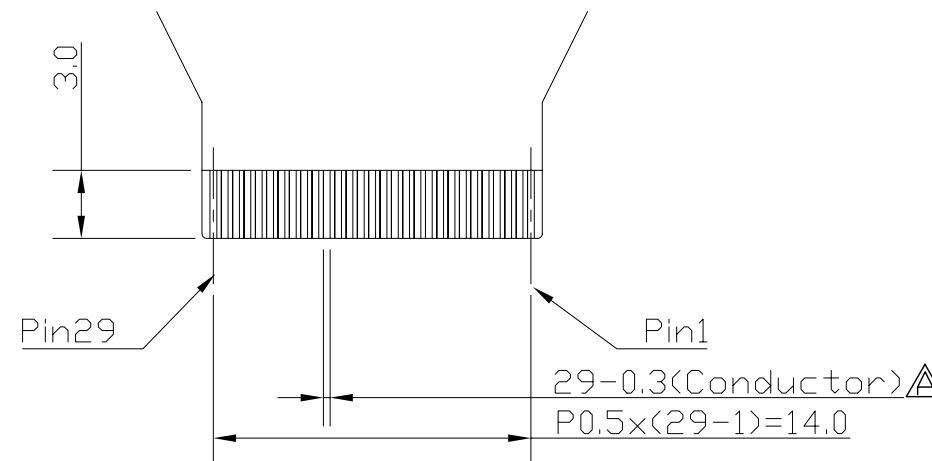


Pixels Details  
Scale=20/1



Wiring Details  
Scale=free

Terminal No.	Pin Name
1	NC
2	NC
3	V0
4	V4
5	V3
6	V2
7	V1
8	C2-
9	C2+
10	C1+
11	C1-
12	C3+
13	VOUT
14	VSS
15	VDD
16	DB7
17	DB6
18	DB5
19	DB4
20	DB3
21	DB2
22	DB1
23	DB0
24	/RD
25	/WR
26	RS
27	/RES
28	/CS1
29	NC



Terminals Details  
(Conductor Side)  
Scale=3/1

Note:

- \*1. Display Type : FSTN, Positive, Transflective
- \*2. Duty: 1/65, Bais: 1/9bais
- \*3. Viewing Direction: 6H
- \*4. Driver Controller : S6B0724A01-BOCY
- \*5. Operating Temperature : 0°C~50°C
- \*6. Storage Temperature : -20°C~60°C

C		
B		
A	-Add Silicon -Add & Revise Dimension -Revise Title & Note	05-Nov-03
Rev/Note		Date
Dwg Title	LM6029 Outline Dwg	
Dwg No.	MK-000238a-1-1	Date 05-Sep-03
Scale	Tol. ±0.5	Unit mm
Approved	Checked	Paper Size A3
		Drawn Li Shuai

**TOPWAY**