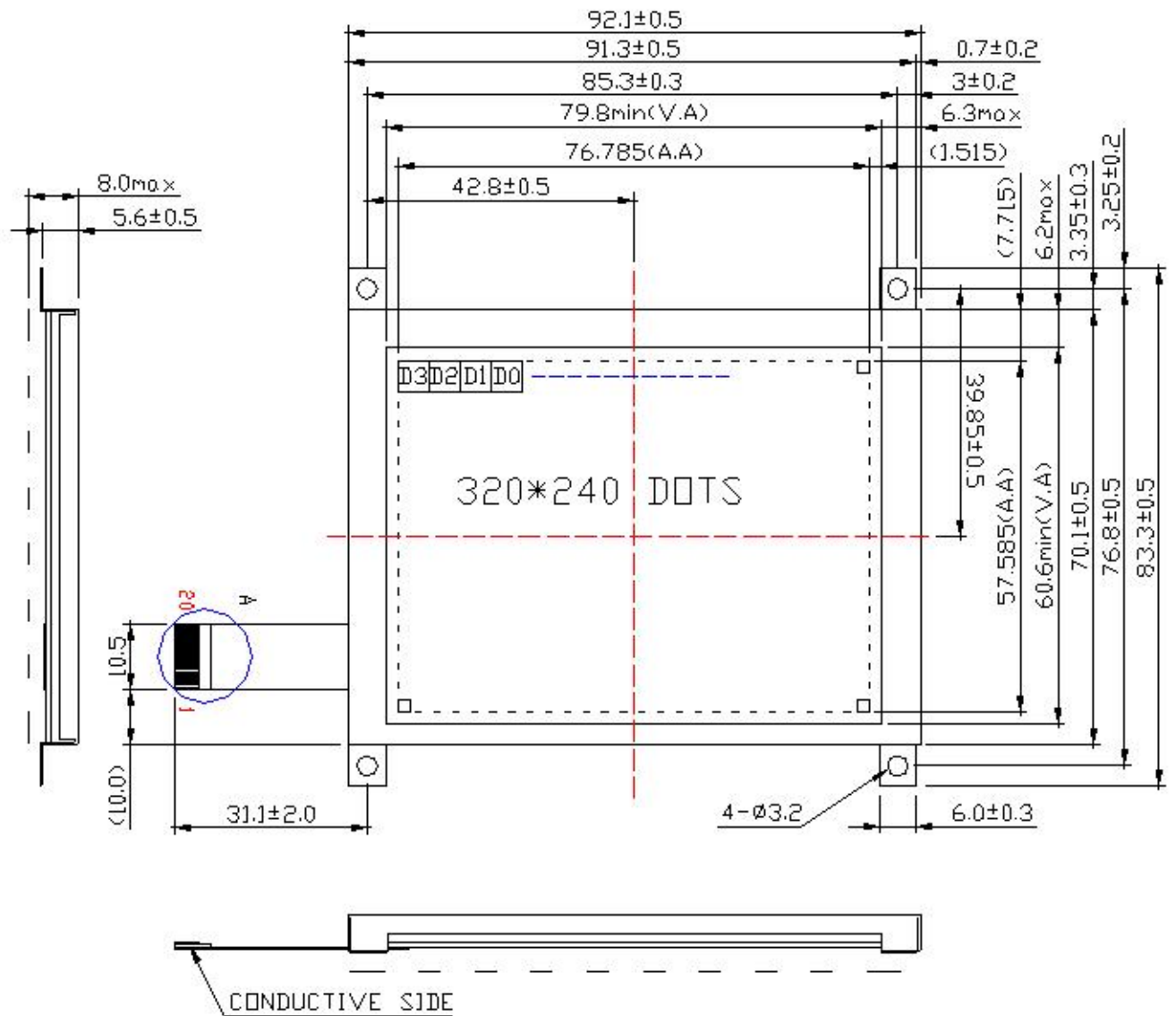
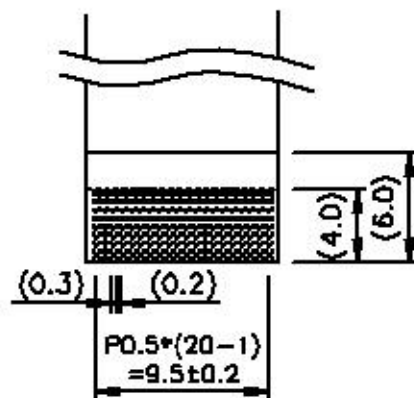
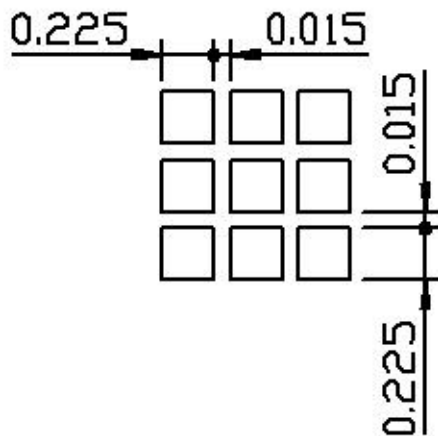


8. Outline dimension



(a) Dot size:

(b) Detail of A:



Note:

1. SCALE: NTS

2. UNIT: mm