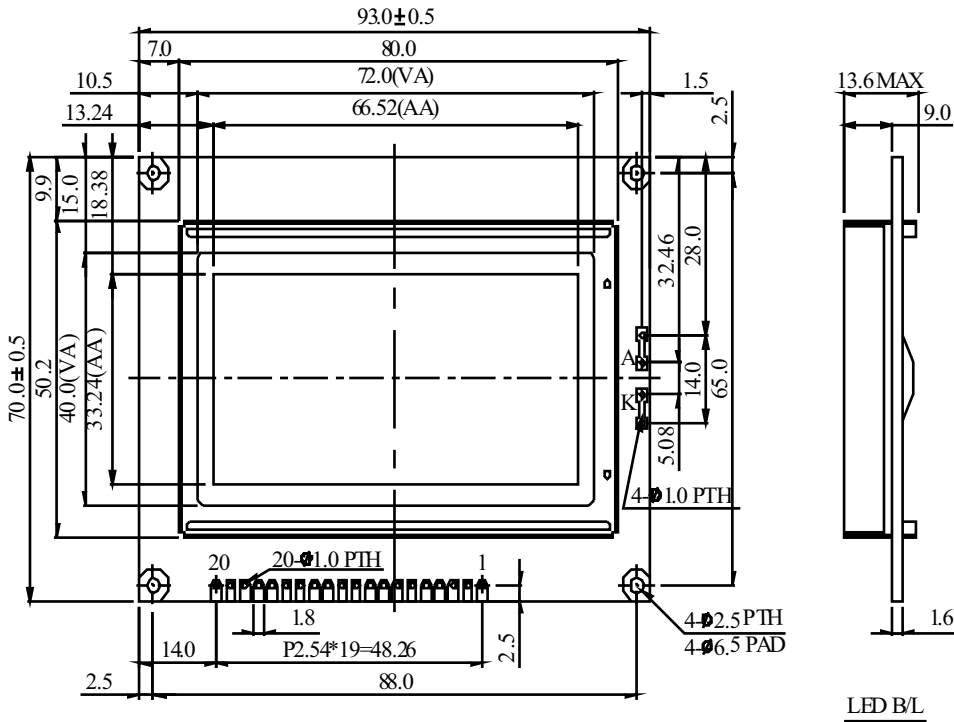
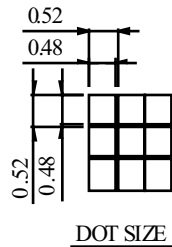


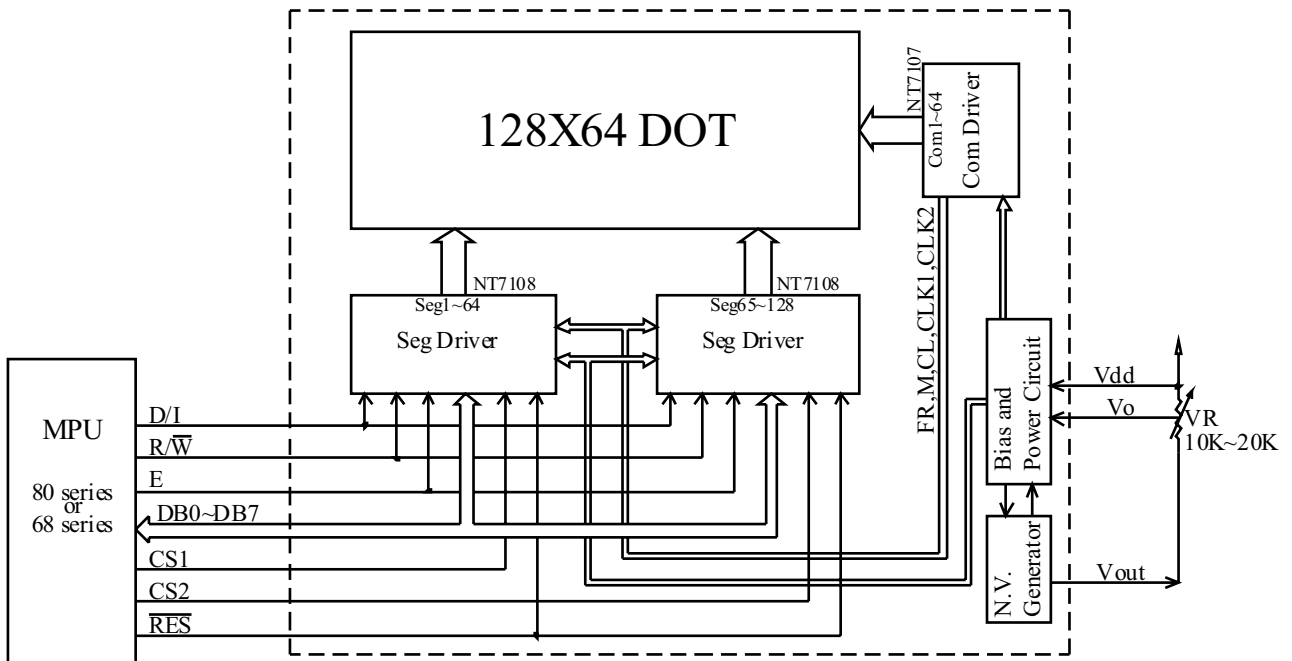
5. Outline Dimension & Block Diagram



FN NO	SYMBOL
1	Vss
2	Vdd
3	Vo
4	D/I
5	R/W
6	E
7	DB0
8	DB1
9	DB2
10	DB3
11	DB4
12	DB5
13	DB6
14	DB7
15	CS1
16	CS2
17	RES
18	Vout
19	A
20	K



The non-specified tolerance of dimension is ±0.3mm.



External contrast adjustment.