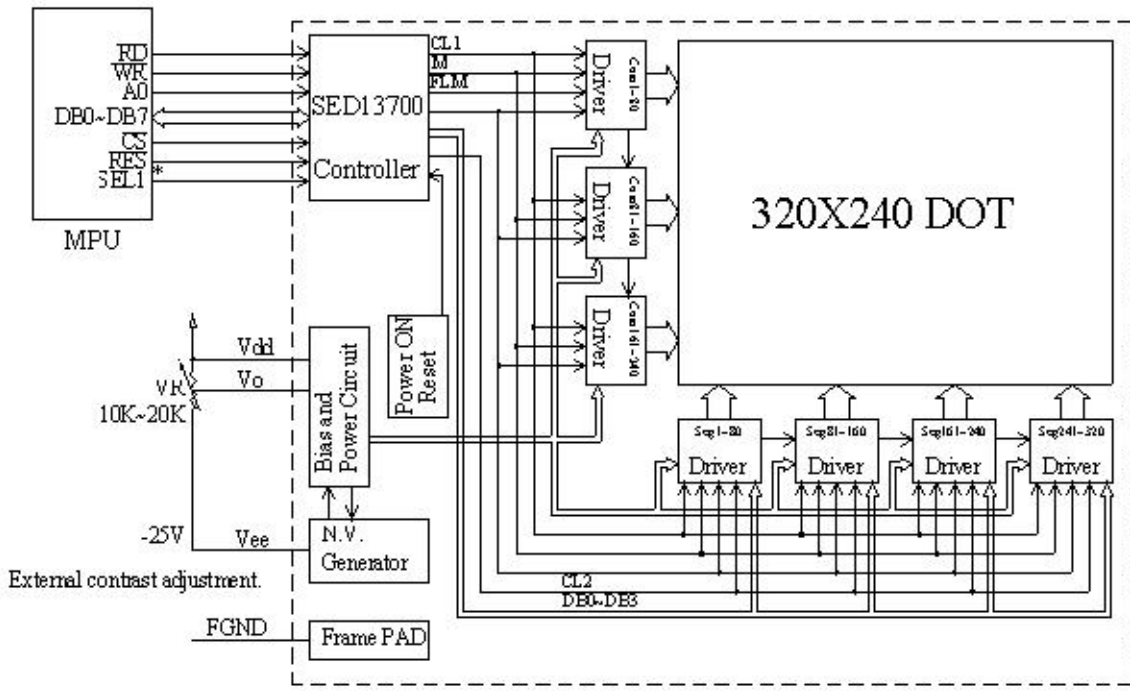
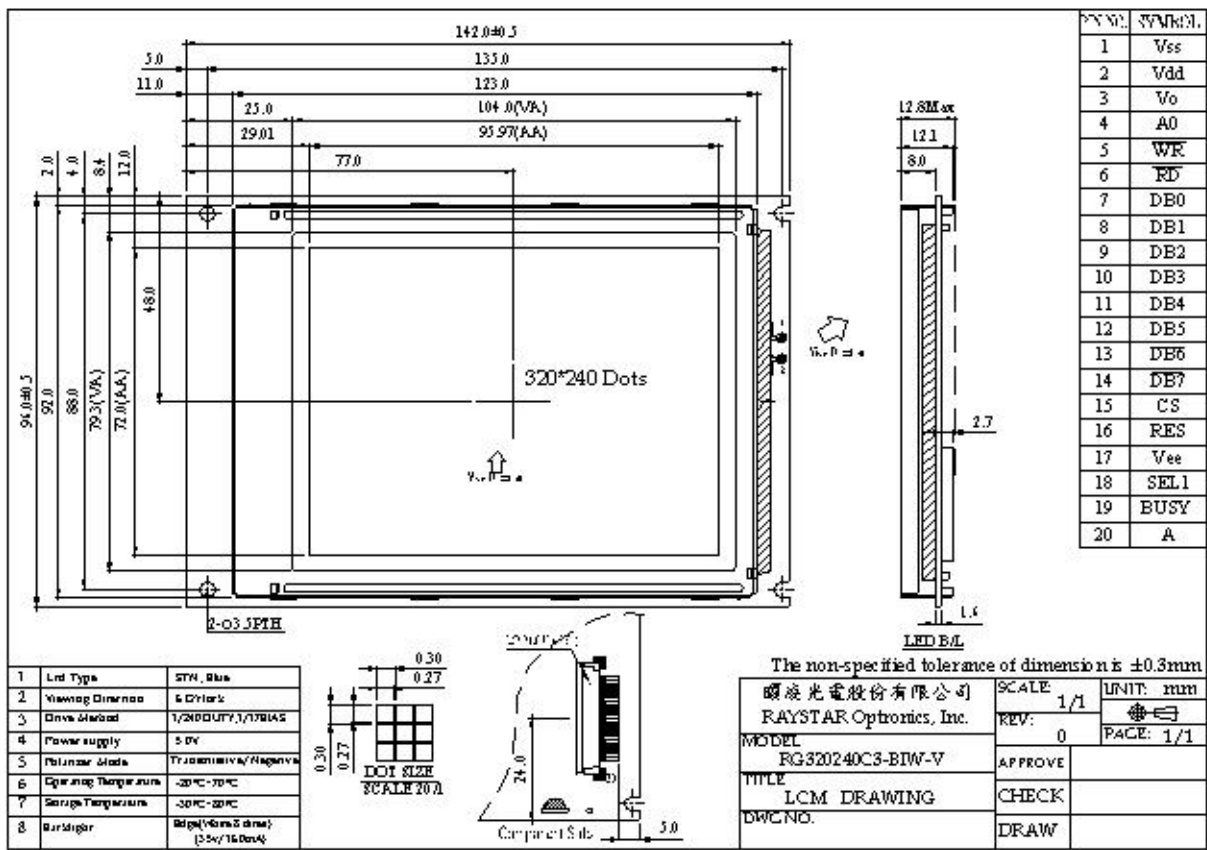


5. Outline Dimension & Block Diagram



*:6800 family or 8080 family interface selectable.