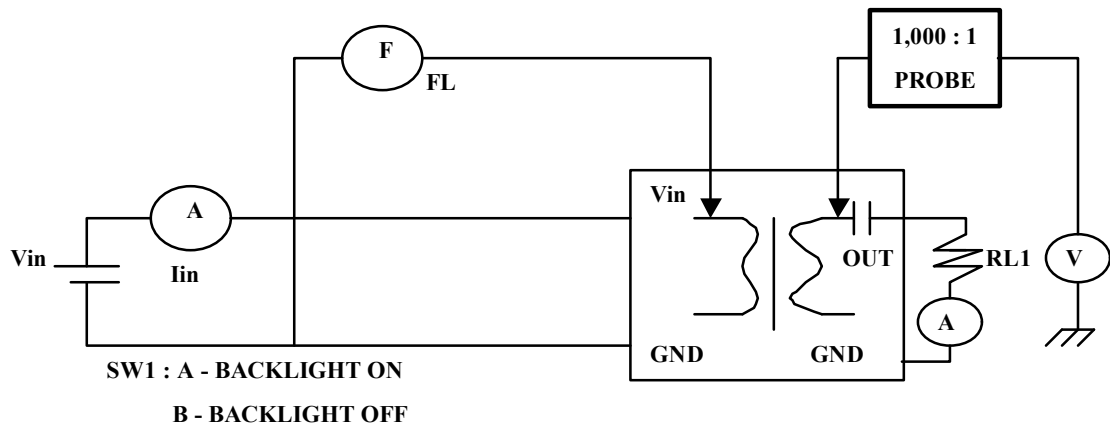


### 3. Test circuit



### 4. Dimension(unit : mm) - $\pm 0.2$

