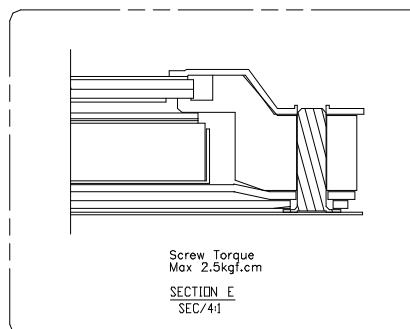
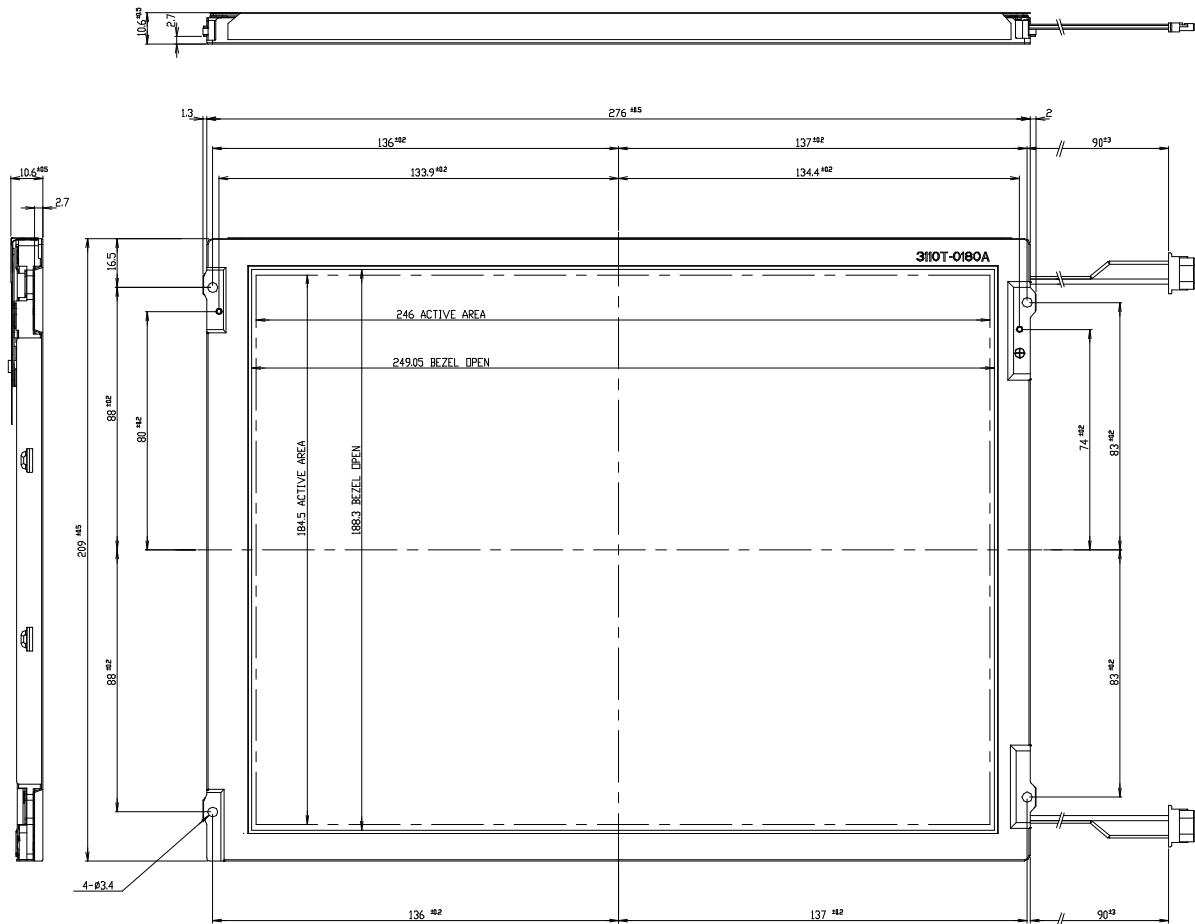


Product Specification

<FRONT VIEW>

Note) Unit:[mm], General tolerance: ± 0.5 mm



Product Specification

<REAR VIEW>

Note) Unit:[mm], General tolerance: ± 0.5 mm

