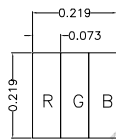
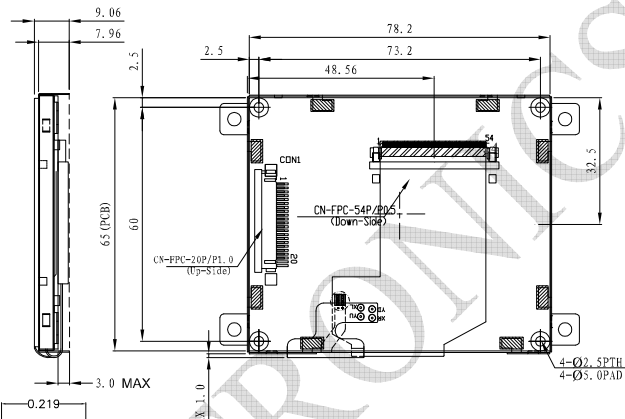
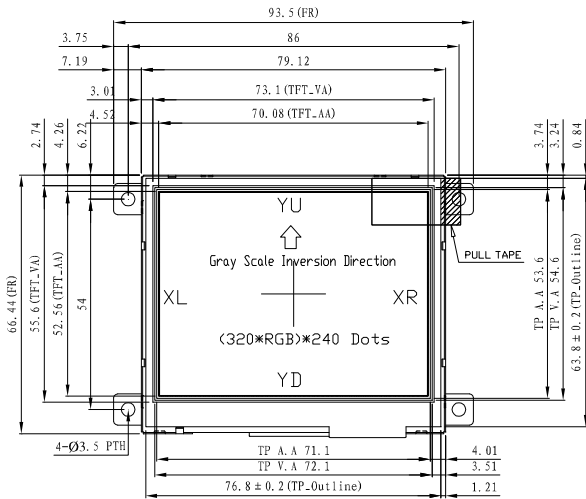
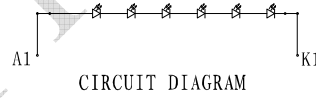


5. Contour Drawing

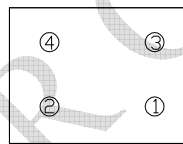


SCALE: 100X



CIRCUIT DIAGRAM

The non-specified tolerance of dimension is ±0.3mm.



Test Point

CON1	
PIN NO	SYMBOL
1	GND
2	VDD
3	BL_E
4	RS
5	WR
6	RD
7	DB0
8	DB1
9	DB2
10	DB3
11	DB4
12	DB5
13	DB6
14	DB7
15	CS
16	RES
17	NC
18	FGND
19	NC
20	NC

PIN	OUT
1	XR
2	YD
3	XL
4	YU