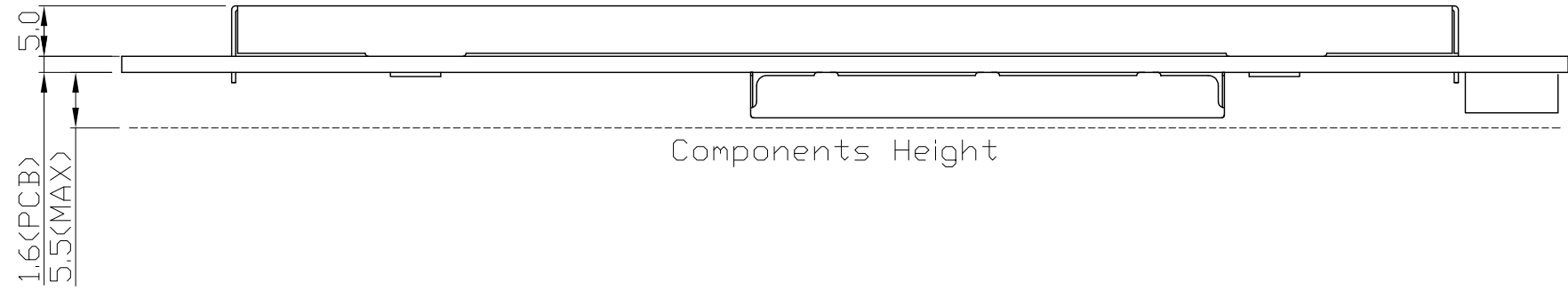
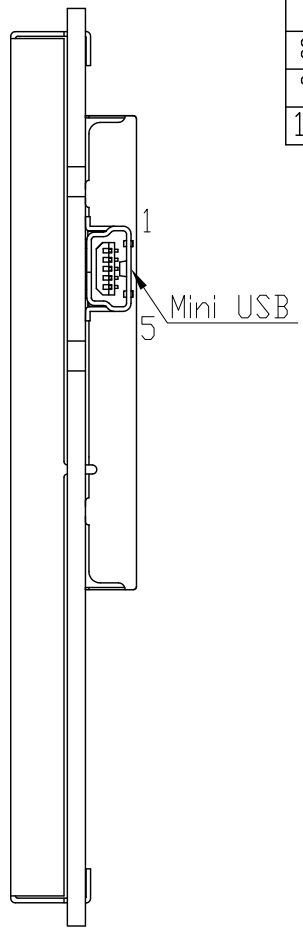


K3 Terminal		
No	Pin	Name
1		VCC
2		VCC
3		VCC
4		NC
5		RXD
6		TXD
7		RTS(BUSY)
8		GND
9		GND
10		GND



- Note:
- *1. LCD Display Type : TFT.Transmissive
 - *2. Pixel Arrangement : RGB-STRIPE
 - *3. Color Depth : 65,535 (16bit) color
 - *4. Operating Voltage(VDD) : 5.0V typ.
 - *5. Backlight : White LEDs
 - *6. K3 Interface : RS-232C
 - *7. Operating Temperature : -20°C~70°C
 - *8. Storage Temperature : -30°C~80°C

C				
B				
A				
Rev	Note			Date
Dwg	Title			HMT050CC Outline Dwg
Dwg No.	MK-005483-1-1		Date	2016-01-25
Scale	Tol.	Unit	Paper Size	
3/2	±0.5	mm	A3	
Approved	Checked	Drawn		
		Zou Guo Rui		

TOPWAY