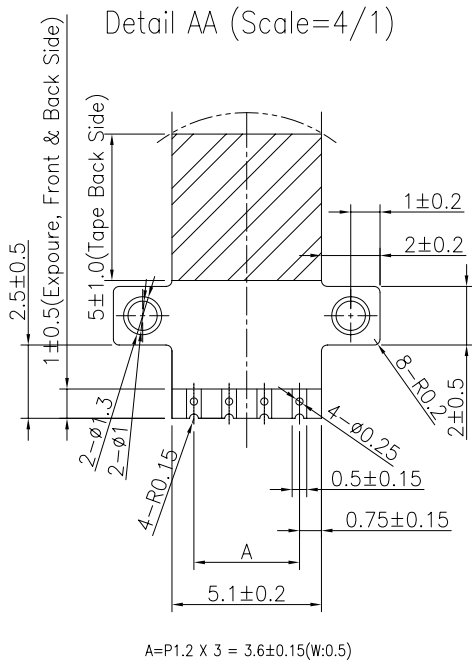
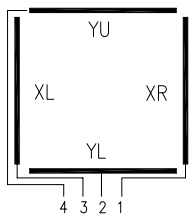


REMARK

1. Film Type : Clear Type
2. Glass THK : 0.7 mm
3. Total THK : 1.0 ± 0.15 (TSP) & 1.2 ± 0.2 (TSP+Back-Tape)
4. Linearity : $\pm 1.5\%$ or less
5. Transmittance : 83%(Typical)
6. Resistance : $100 < \text{Film(TOP)} < 800\text{ohm}$
 $400 < \text{Glass(BOT)} < 1100\text{ohm}$
7. Connector : FPC

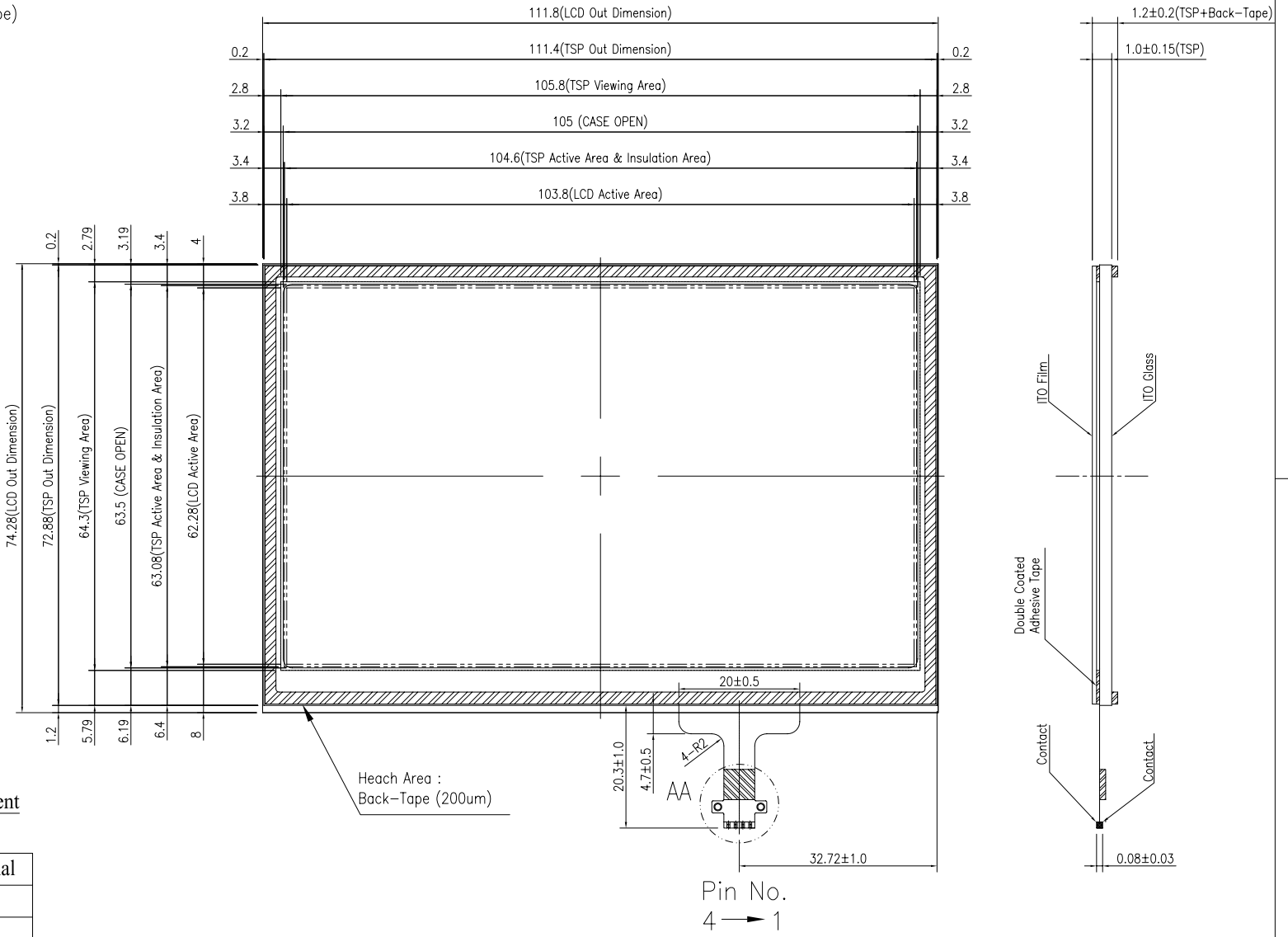


Circuit Diagram



Signal Assignment

Pin No.	Signal
1	XR
2	YL
3	XL
4	YU



REV.	DATE	REVISION DESCRIPTIONS	DIM	SIZE	STD.TOL.	SCALE
03.	07.10.29	TSP Active Area & Back Tape Size Change	MM	A4	±0.3	1 : 1
02.	07.08.11	O/D & V/A Size Change				
01.	07.08.08	FPC & Position & Pin Map & A/A,V/V Change				

DESIGD.	Y.M. CHO	DARW.NO.	A048-4A-03
CHEKD.	G.L. LEE	MODEL	A048-4A N71S020
APPRD.	S.H. LEE		
DATE	2007. 10. 29.		

