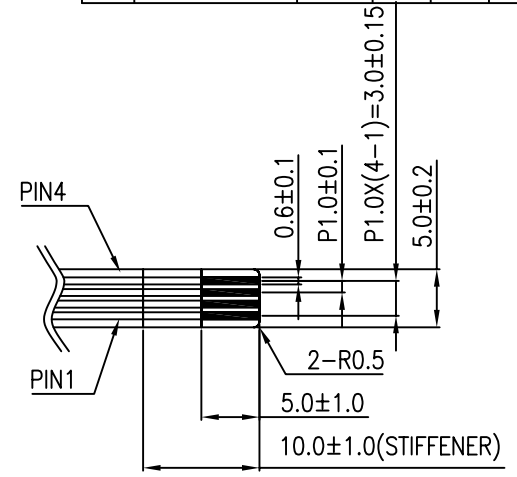
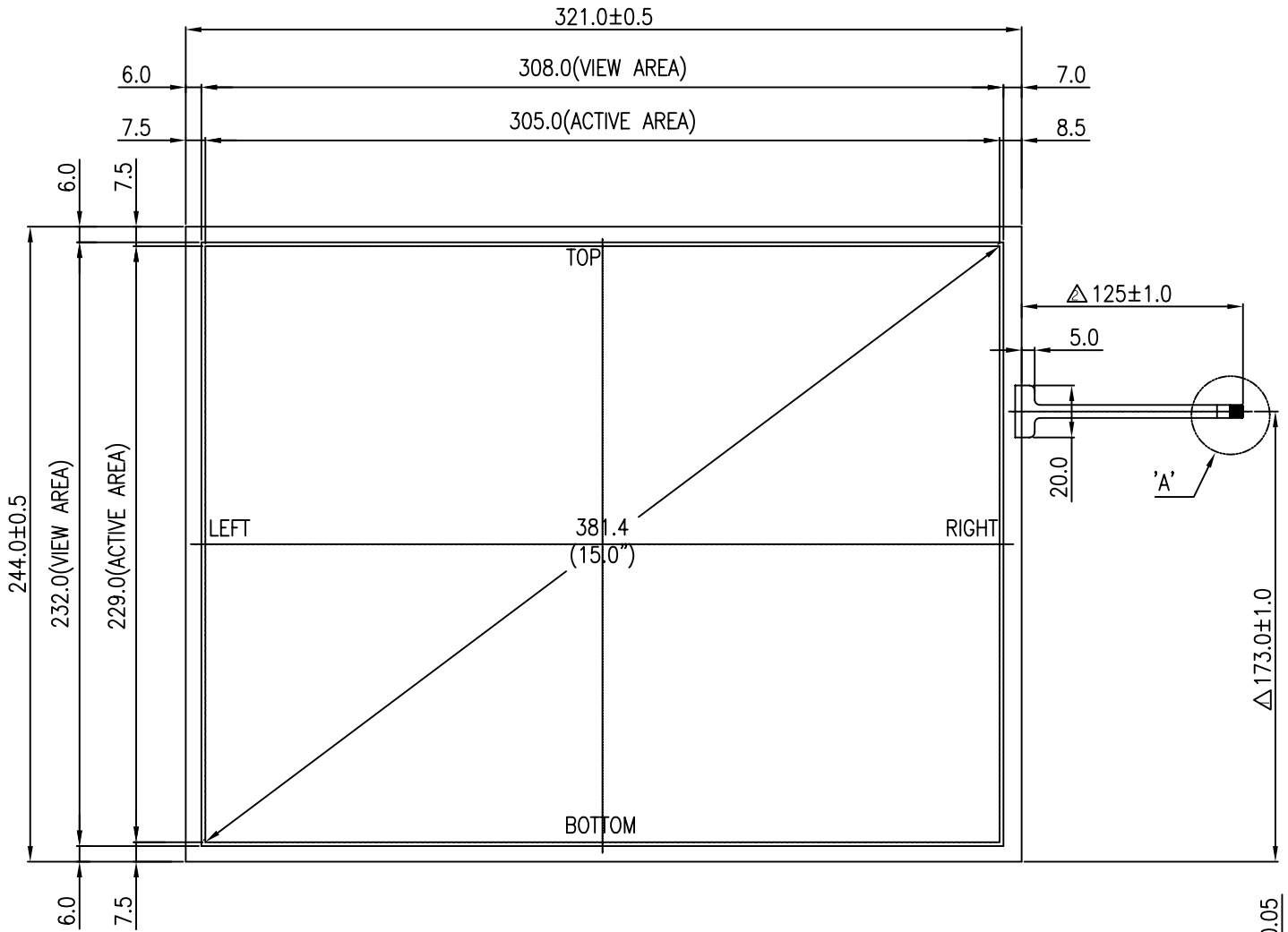
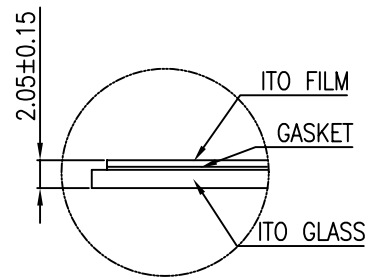


REV.NO.	REVISED	DATE	DRAWN	CHECKED	APPROVED
0	NEW DRAW	02.07.23	WJ.KIM		
△	TAIL LENGTH (200 → 85) TAIL LOCATION (122 → 173)	02.08.12	WJ.KIM		
△	TAIL LENGTH (85 → 125)	04.07.06	KB.KIM		



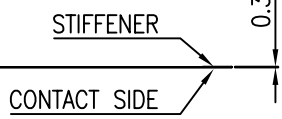
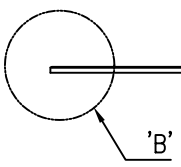
DETAIL A



DETAIL B

NOTE

- 1) TYPE : NON GLARE TYPE
- 2) GLASS THICKNESS : 1.8t
- 3) FILM THICKNESS : 175/188 μ m
- 4) CONNECTOR : FPC
- 5) GENERAL TOLERANCE : ± 0.3



TERMINAL	
NO	SYMBOL
1	LEFT
2	BOTTOM
3	RIGHT
4	TOP

NOTE: The HantouchUSA Incoming Inspection Standard is part of this drawing. This quality and performance document can be viewed at: www.hantouchUSA.com, under Incoming Inspection Standards.

15.0" TOUCH PANEL

SCALE : NONE

APPROVE		UNIT	mm	PROJECTION	DRAWING NO.	REV.
CHECK		SCALE	NONE		H3150A-NEOFF27	
DESIGN	<i>Kim</i>	HantouchUSA Touch Screen Specialists			DESCRIPTION	SHEET
DRAW					15.0" TOUCH PANEL	1/1